

ASSEMBLY INSTRUCTION

A X4PCS



B X4PCS



C X4PCS



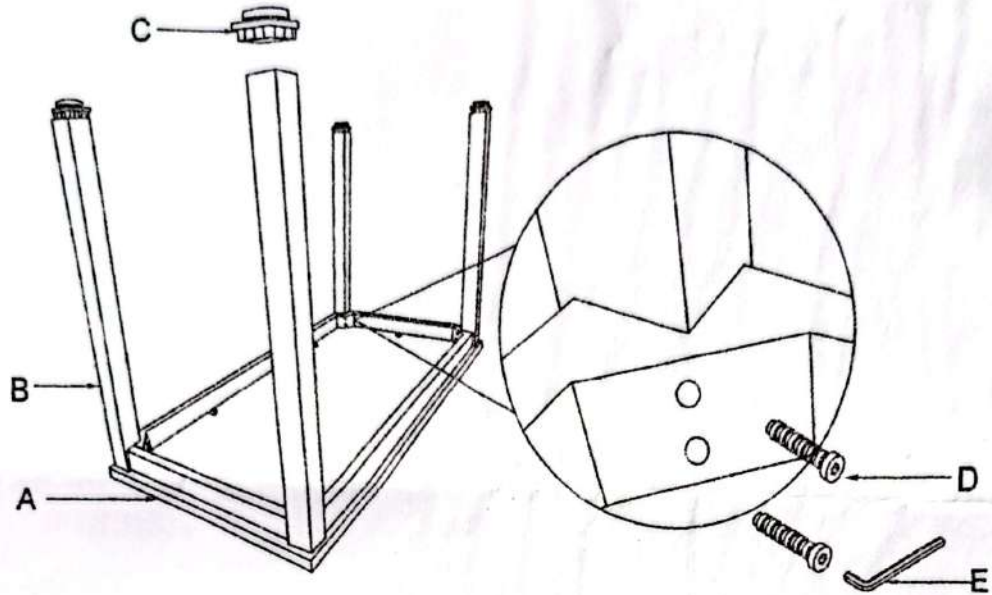
D X8PCS



E X1PC



1



2

